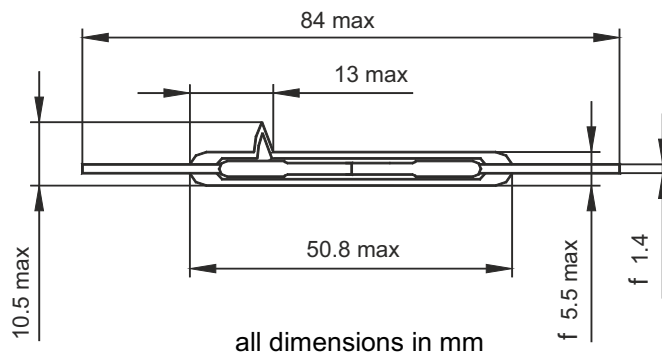




**PIT-RADWAR S.A.**  
**ODDZIAŁ WROCLAW**  
 50-425 Wrocław, ul. Krakowska 64  
 tel. (+48) 71/342-65-54, fax (+48) 71/342-58-59  
 e-mail: sales@dolam.pl  
 www.dolam.pl

## High voltage reed switch ZP - 1, 2, 3

This product is in accordance with RoHs



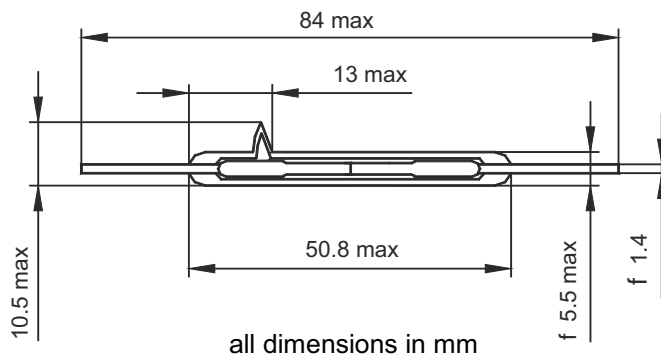
PARAMETERS	Unit	TYPE		
		ZP-1	ZP-2	ZP-3
Contact form		normally open		
Switching power	max W,VA	50		
Switching current	max A	2		
Carry current	max A	3		
Switching voltage (DC or AC PEAK)	max kV	5	7.5	10
Breakdown voltage	min kV <sub>DC</sub>	7	10	14
Pull-in Ampere turns	AT	100 ÷ 170	100 ÷ 180	120 ÷ 200
Contact resistance	max mW	100		
Operate time incl. bounce time	max ms	3.6		
Release time	max ms	0.5		
Capacitance	max pF	0.5		
Insulation resistance	min W	10 <sup>12</sup>		
Environment category acc. to IEC 68-1		55/125/10		
Operating life tested with resistive loads		operations		
Load 1 5 kV <sub>DC</sub> , 1 mA		0.5x10 <sup>6</sup>	0.5x10 <sup>6</sup>	0.5x10 <sup>6</sup>
Load 2 7.5 kV <sub>DC</sub> , 1 mA				
Load 3 10 kV <sub>DC</sub> , 1 mA				
Test coil		CP-12		acc. Polish Standard PN-75/T-04400
- No. of turns		10000 f 0.07		
- Dimensions	mm	f 7.6x25.4		
- Resistance	W	1480		



**PIT-RADWAR S.A.**  
**ODDZIAŁ WROCŁAW**  
 50-425 Wrocław, ul. Krakowska 64  
 tel. (+48) 71/342-65-54, fax (+48) 71/342-58-59  
 e-mail: sales@dolam.pl  
 www.dolam.pl

## High voltage reed switch ZP - 4, 5, 6

This product is in accordance with RoHs



PARAMETERS	Unit	TYPE		
		ZP-4	ZP-5	ZP-6
Contact form		normally open		
Switching power	max W,VA	10		
Switching current	max A	1		
Carry current	max A	3		
Switching voltage (DC or AC PEAK)	max kV	12		
Breakdown voltage	min kV <sub>DC</sub>	17	18	19
Pull-in Ampere turns	AT	160 ÷ 200		
Contact resistance	max mW	100		
Operate time incl. bounce time	max ms	3.6		
Release time	max ms	0.5		
Capacitance	max pF	0.5		
Insulation resistance	min W	10 <sup>12</sup>		
Environment category acc. to IEC 68-1		55/125/10		
Operating life tested with resistive loads Load 10 kV <sub>DC</sub> , 1 mA		0.5x10 <sup>6</sup> operations		
Test coil - No. of turns - Dimensions - Resistance	mm W	CP-12 10000 f 0.07 f 7.6x25.4 1480	acc. Polish Standard PN-75/T-04400	