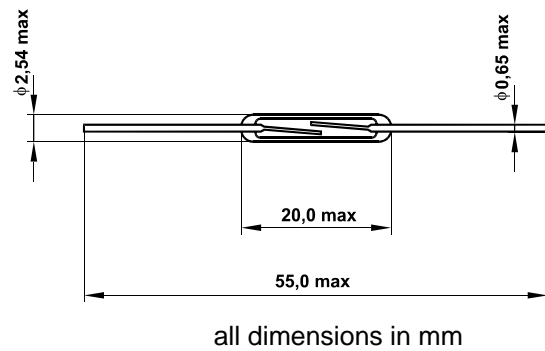




PIT- RADWAR S.A.
WROCLAW DIVISION
 50-425 Wrocław, ul. Krakowska 64, Poland
 tel. (+48) 71/342-65-54, fax (+48) 71/342-58-59
 e-mail: sales@dolam.pl
 www.dolam.pl

Miniature reed switch ZM-109/II
 This product is in accordance with RoHs



PARAMETERS	Unit	TYPE	
		ZM-109/II	
Contact form		normally open	
Contact material		Ru	
Switching power	max	W	10
Switching current	max	A	0.5
Switching voltage	max	V _{DC}	180
Pull-in Ampere turns		AT	10÷20 20÷40
Breakdown voltage	min	V _{DC}	220 280
Contact resistance	max	mΩ	150
Operate time	max	ms	1
Release time	max	ms	0.3
Capacitance	max	pF	0.5
Insulation resistance	min	Ω	10 ⁹
Resonant frequency	min	Hz	2600
Environment category acc. to IEC 68-1			55/100/10
Operating life tested with resistive loads Load 1 24 V _{DC} , 250 mA Load 2 5 V _{DC} , 10 mA			1x10 ⁶ operations 1x10 ⁷ operations
Test coil - No. of turns - Dimensions - Resistance		mm Ω	CP-14 10000 φ 0.06 acc. Polish Standard φ 4.2x19 PN-75/T-04400 1400