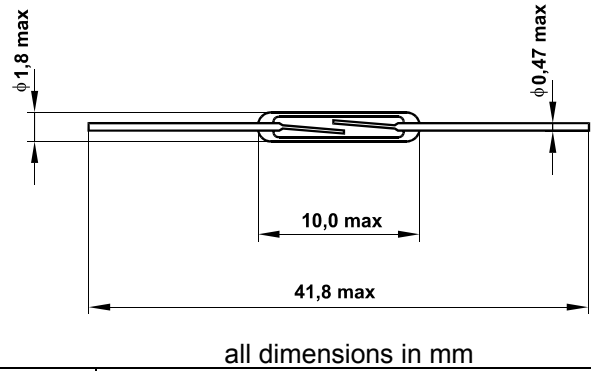




PIT- RADWAR S.A.
WROCLAW DIVISION
 50-425 Wrocław, ul. Krakowska 64, Poland
 tel. (+48) 71/342-65-54, fax (+48) 71/342-58-59
 e-mail: sales@dolam.pl
 www.dolam.pl

Miniature reed switch ZM-110/II
 This product is in accordance with RoHs



PARAMETERS	Unit	TYPE	
		ZM-110/II	
Contact form		normally open	
Contact material		Ru	
Switching power	max W	10	
Switching current	max A	0.5	
Pull-in Ampere turns	AT	10 ÷ 30	
Switching voltage	max V _{DC}	150	
Breakdown voltage	min V _{DC}	200	
Contact resistance	max mΩ	150	
Operate time	max ms	0.5	
Release time	max ms	0.3	
Capacitance	max pF	0.5	
Insulation resistance	min Ω	10 ⁹	
Resonant frequency	min Hz	5000	
Environment category acc. to IEC 68-1		55/100/10	
Operating life tested with resistive loads		1x10 ⁵ operations 5x10 ⁶ operations 5x10 ⁶ operations	
Test coil		CP-14	
- No. of turns		10000 φ 0.06	acc. Polish Standard
- Dimensions	mm	φ 4.2x19	PN-75/T-04400
- Resistance	Ω	1400	