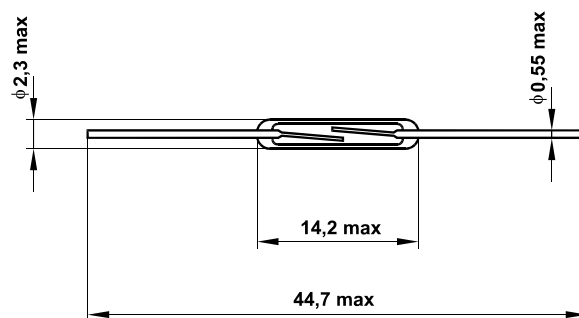




PIT- RADWAR S.A.
WROCLAW DIVISION
 50-425 Wrocław, ul. Krakowska 64, Poland
 tel. (+48) 71/342-65-54, fax (+48) 71/342-58-59
 e-mail: sales@dolam.pl
 www.dolam.pl

Miniature reed switch ZM-140/II

This product is in accordance with RoHs



all dimensions in mm

PARAMETERS	Unit	TYPE	
		ZM-140/II	
Contact form		normally open	
Contact material		Ru	
Switching power	max W	10	
Switching current	max A	0.5	
Pull-in Ampere turns	AT	10÷20	20÷35
Switching voltage	max V_{DC}	100	100
Breakdown voltage	min V_{DC}	200	250
Contact resistance	max $m\Omega$	100	
Operate time	max ms	1	
Release time	max ms	0.4	
Capacitance	max pF	0.7	
Insulation resistance	min Ω	10^9	
Resonant frequency	min Hz	4000	
Environment category acc. to IEC 68-1		55/100/10	
Operating life tested with resistive loads Load 1 5 V_{DC} , 10 mA Load 2 24 V_{DC} , 400 mA		1x 10^8 operations 5x 10^5 operations	
Test coil - No. of turns - Dimensions - Resistance	mm Ω	CP-14 10000 ϕ 0.06 ϕ 4.2x19 1400	acc. Polish Standard PN-75/T-04400