

DESCRIPTION:

Amplifier LO-5P replaces tube amplifiers from series LO 50 operating in radar height finders of BOŻENA type. The amplifiers are used in the receive channels and they may operate with input CW power not greater than 2 W and input peak power not greater than 200 W. Input and output connectors are of N type.

Environment:

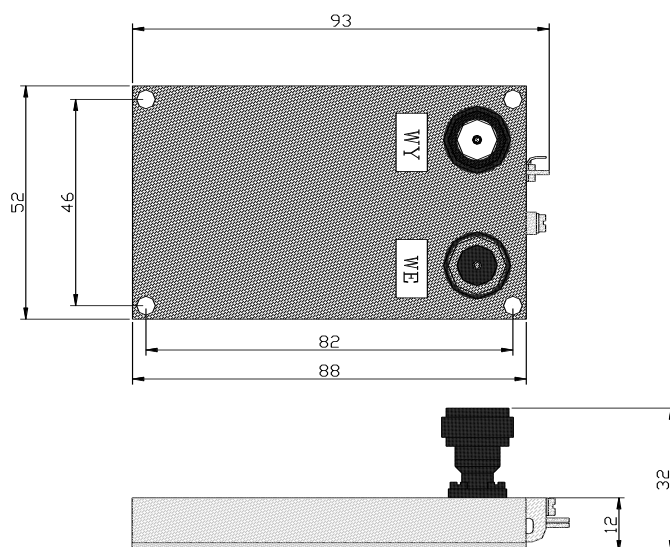
Operational temperature:	-40 ℃ / +55 ℃
Humidity	98%/+25 ℃
Vibration	20m/s ² /30 Hz
Shocks	100m/s ²

Basic electrical parameters:

Operational bandwidth:	S band
Gain:	G ≥ 25 dB
Noise figure:	NF ≤ 3.5 dB (max) NF ≤ 2.5 dB (typical)
VSWR:	≤ 1.8
Gain changes in bandwidth	ΔG ≤ 1.5 dB
Power supply:	+12 V/100mA

Additional information:

Amplifier's design allows to integrate it directly into radar without any mechanical adaptations.



PIT - RADWAR S.A. **WROCLAW DIVISION**

50-425 Wrocław, ul. Krakowska 64, Poland; tel. (+48) 71-342-65-54; fax (+48) 71-342-58-59; e-mail: sales@dolam.pl
53-439 Wrocław, ul. Grabiszyńska 97 tel. (+48) 71-361-18-19 ; fax. (+48) 71-361-73-19; e-mail: office@pitow.wroc.pl