

Description:

The Radar Warning Receiver significantly enhances the survivability of platform and its crew through improved situational awareness.

The SO4-0818M Radar Warning Receiver is a simple, light-weight and cost-effective set.

The SO4-0818M RWR is a passive system using amplitude monopulse principle to evaluate relative amplitudes of signals received by antenna unit consisting of four microwave modules. Emissions (pulsed and CW) from ground and airborne emitters are detected and displayed on one of the eight LEDs bar. The device can switch off external sound alarm systems.



Control & Display Unit

Specification:

Operating frequency	[GHz]	8÷18
Detectable pulse width	[nsec]	min 50
Spatial field of view: azimuth		360°
elevation		90°
Detectable types of radar emissions		pulse and CW
Built in microwave power protection		up to 1W / CW or 100W / 1μs

Functions:

Audio warning	external sound alarm can be switched off
Sensitivity	regulated (5 levels)
Sector - operation mode	each of 4 sectors can be separately switched on/off

Environmental

Temperature range:	Antenna Unit	-40°C÷+55°C
	Control & Display Unit	-10°C÷+55°C
Humidity		98% / +25°C
Vibration		20m·s ⁻² / 5Hz÷300Hz
Shock		150m·s ⁻² (operating)

General:

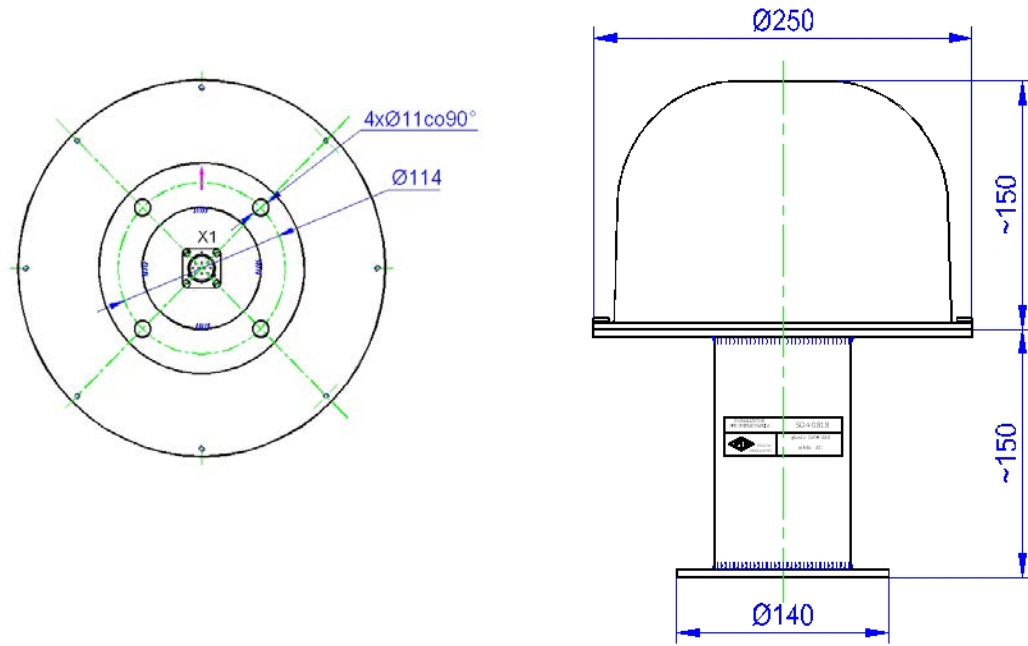
Power consumption		24 VDC / 1A _{max}
Weight	Antenna Unit	3,5 kg
	Control & Display Unit	1,5 kg



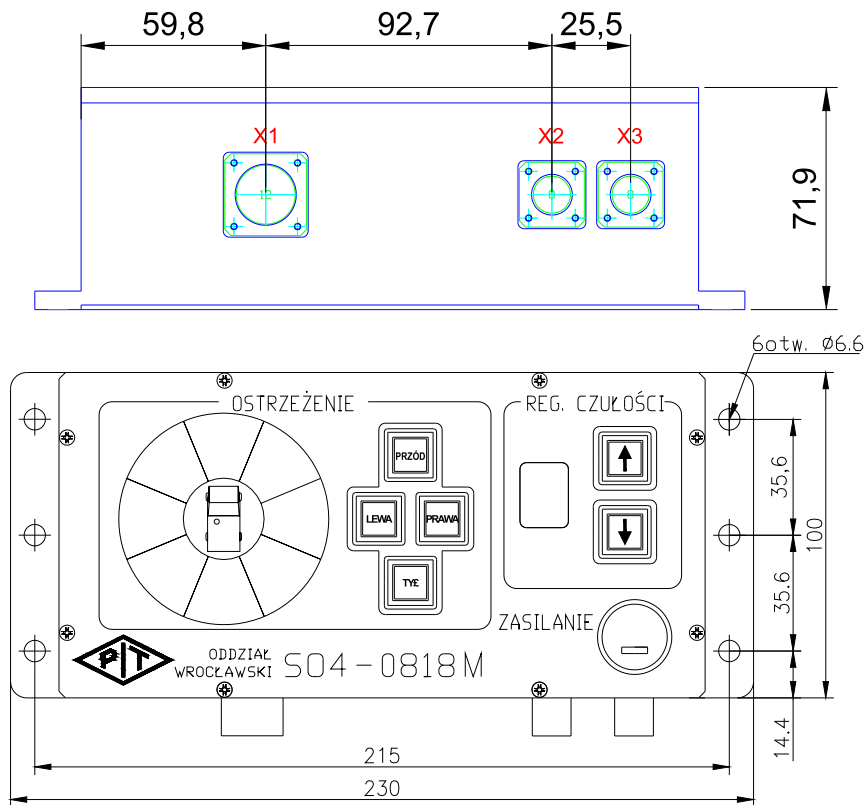
Antenna Unit



SO4-0818M Outline Drawing



Antenna Unit



Display Unit

The mechanical dimensions are for reference only and can be modified.
 Current detailed outline drawings are available on request.
All mechanical dimensions are in mm.