

## UW-1023-P

### DESCRIPTION:

Amplifier UW-1023-P is used in receive channel of the 1S32M system. It replaces tube amplifiers UW 1023.

It amplifies microwave signals in C-band and is protected by a solid-state limiter with ferrite circulator and discharge tube switch. It can operate with input pulse power up to 1kW

### Environment:

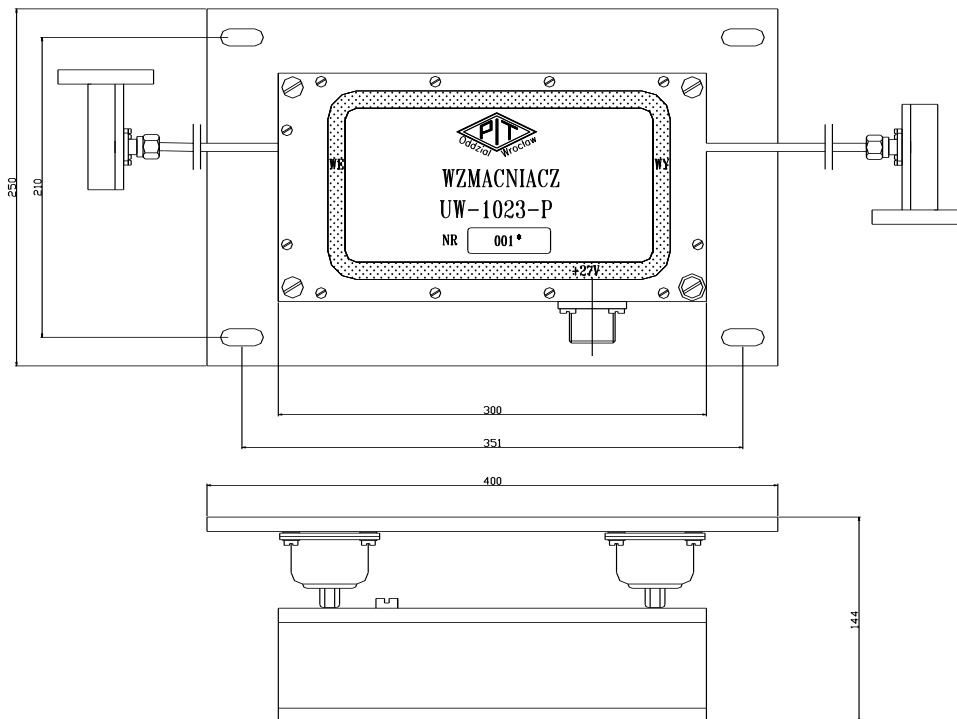
Operational temperature:	-40 °C / +60 °C
Humidity	98%/+25 °C
Vibration	20m/s <sup>2</sup> /30 Hz
Shocks	100m/s <sup>2</sup>

### Basic electrical parameters:

Operational bandwidth:	5.8 - 7.5 GHz
Gain:	G ≥ 30 dB
Noise figure:	NF ≤ 5 dB (max) NF ≤ 3.5 dB (typical)
VSWR:	≤ 2.5
Power supply:	+27 V

### Additional information:

The amplifier UW-1023-P waveguide input and output which allows direct replacing of tube amplifiers. There is also an option available with coaxial connectors of SMA type.



### **PIT - RADWAR S.A.** **WROCLAW DIVISION**

50-425 Wrocław, ul. Krakowska 64, Poland; tel. (+48) 71-342-65-54; fax (+48) 71-342-58-59; e-mail: sales@dolam.pl  
53-439 Wrocław, ul. Grabiszyńska 97 tel. (+48) 71-361-18-19 ; fax. (+48) 71-361-73-19; e-mail: office@pitow.wroc.pl